

DP-3530

WORKIO
DIGITAL IMAGING SYSTEMS

impressive

- Up to 35 ppm Digital Input and Output System
- Standard Network Printing / Document Management Software
- Powerful Upgrades for Incredible Multifunctionality
- Advanced Network and Job Management Capability
- Enhanced Security Features

Panasonic ideas for life

Specifications



DP-3530 Specifications

General

| | |
|---|--|
| Type | Desktop |
| Copy/Print Process | Laser Indirect Electrostatic |
| Developing Process | Dry Dual Component |
| Automatic Document Feeder | 70 sheets (Letter, 20 lb, 75 g/m ²) |
| Paper Feed | Std. 1,550 (Large-capacity tray) + 550-sheet paper tray unit + 50-sheet bypass |
| | Max. 6,250 sheets (20 lb, 75 g/m ²) with option |
| Paper Weight | Paper Tray: 16 to 24 lb (60 to 90 g/m ²) |
| | Bypass: 15 to 35 lb (55 to 133 g/m ²) |
| Power Requirements | AC 120 V, 60 Hz, 12 A |
| Power Consumption | Max: Less than 1.5 kW |
| | Power Saver Mode: Approx. 180 Wh |
| | Sleep Mode: Approx. 20 Wh |
| Warm-up Time | Approx. 30 sec. (Main power switch ON) |
| Dimensions (W x D x H) ^{*1} | 23.6" x 29.8" x 35.4" (600 x 758 x 900 mm) |
| (Excluding optional equipment) | (Including Automatic Document Feeder and ADF mounting bracket) |
| Weight (Excluding optional equipment) ^{*1} | Approx. 292 lb (132.5 kg) |

Digital Copier

| | |
|--------------------------------|--|
| First Copy Time | Approx. 5.8 sec. (Letter) |
| Resolution | 600 dpi |
| Gray Scale | 256 steps |
| Multi Copy Speed ^{*2} | up to 35 cpm |
| Maximum Original Size | Ledger |
| Copy Size | Ledger - Invoice (fixed) |
| Copy Ratio | Enlargement (fixed) |
| | 200%, 155%, 129%, 121% |
| | Reduction (fixed) |
| | 79%, 77%, 65%, 61%, 50% |
| Zoom (variable) | 25~400% (in 1% increments) |
| Multiple Copy | 1 to 999, Automatic reset to 1 |
| Exposure Control | Text, Text / Photo, Photo |
| Sort Memory | Standard 32MB (Image Memory), 12GB (HDD) |
| | Optional Base Image Memory (32MB) |
| | plus 16MB / 64MB / 128MB (Max. 160MB) |

Printer

| | |
|--------------------------------------|---|
| Network Printer Interface | Ethernet 10Base-T/100Base-TX, Bi-directional Parallel (IEEE1284) |
| Communication Protocol | TCP/IP (LPD, Raw/Port9100, SNMP, DHCP) |
| | IPX/SPX (NDS, Bindery, NDP5 ^{®3}) AppleTalk (PS), IPP (PCL, *0, PS) |
| Printer Language (standard) | Panasonic Printing System for Windows [®] |
| (option) | PCL 5e Emulation ^{®3} , PCL 6 Emulation ^{®3} |
| | Adobe [®] PostScript3 ^{®TM4} |
| Printing Speed ^{*2} | up to 35 ppm |
| Paper Size | Paper Tray: Ledger - Invoice |
| | Bypass: Ledger - Invoice |
| Printing Resolution | 1,200 dpi equivalent x 600 dpi (PCL, PS), 600 dpi x 600 dpi (PCL, PS, GDI) |
| Printer Memory | 50MB |
| Compatible Client Operating Systems | Windows [®] XP/2000/98/Me, Windows [®] NT 4.0, |
| | Mac [®] OS 8.6-10.2 (PS only) |
| Compatible Network Operating Systems | Windows [®] 2000/Server 2003, NT 4.0, Novell 3.x/4.x/5.x/6.x, |
| | Unix (LPD/LPR), Linux (LPD/LPR), AS/400 (PCL, PS) |

Network Scanner (Option)

| | |
|------------------------------|---|
| Network Scanner Interface | Ethernet 10Base-T/100Base-TX |
| Communication Protocol | TCP/IP (LPR, FTP) |
| Maximum Scanning Size | Ledger |
| Scanning Speed | Approx. 35 opm (Originals per minutes - Letter portrait with ADF) |
| Scanning Resolution | 150 dpi x 150 dpi, 300 dpi x 300 dpi, 600 dpi x 600 dpi |
| Compatible Operating Systems | Windows [®] XP/2000, 98, Me, Windows NT [®] 4.0 |
| Data Format | TIFF, PDF |

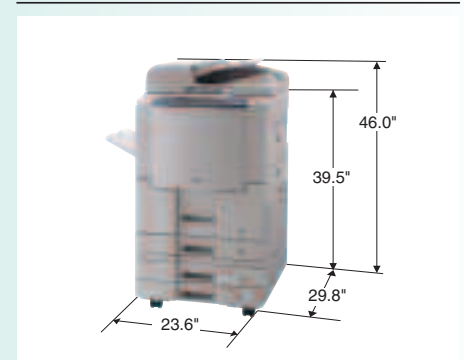
G3 Fax (Option)

| | |
|----------------------------------|--|
| Compatibility | ITU-T Group 3, ECM |
| Modem Speed | 33.6 kbps |
| Coding Scheme | JBIG / MMR / MR / MH |
| Scanning Speed ^{*5} | Approx. 0.6 sec. (Letter portrait in Standard or Fine mode with ADF) |
| Transmission Speed ^{*6} | Approx. 2.7 sec. |
| Scanning Resolution | Standard: 203 dpi x 98 lpi (8 dots/mm x 3.85 lines/mm) |
| | Fine: 203 dpi x 196 lpi (8 dots/mm x 7.7 lines/mm) |
| | Super Fine: 406 dpi x 391 lpi (16 dots/mm x 15.4 lines/mm) |
| | 600 dpi: 600 dpi x 600 dpi |
| Maximum Original Size | Ledger |
| Effective Scanning Width | 10.7" (274 mm) |
| Recording Resolution | 600 x 600 dpi |
| Standard Memory ^{*7} | 3MB (Approx. 180 pages) |
| Optional Memory ^{*7} | Base memory plus 4MB (320 pages) / 8MB (640 pages) |
| Speed Dial | 200 (Max. 1000 with optional HDD) |

Internet Fax / Scan-to-Email (Option)^{*8}

| | |
|------------------------------|---------------------------------------|
| Compatibility (Internet Fax) | IETF RFC 2305, ITU-T.37 ^{*9} |
| Communication Protocol | TCP/IP (SMTP, POP3, LDAP) |
| Network Connectivity | 10Base-T/100Base-TX Ethernet |
| Data Format | TIFF, PDF |

Dimensions



Notes

- ^{*1} Dimensions and weight are approximate.
^{*2} Speeds are contingent upon applications, machine configuration, and status. Individual speeds may vary.
^{*3} Printer Controller Module or Multi-Page Description Language Controller Module option required.
^{*4} Multi-Page Description Language Controller Module option required.
^{*5} Scanning speed applies to the feeding process from the top to the end of a single page test chart. The time for the feeding process does not include the time that it takes for the top edge of the page to reach the scanning point and page ejection. Time for entire storing process is not applied.
^{*6} Transmission time applies to memory transmission of text data using only ITU-T Image No. 1 between the same models at maximum modem speed. Transmission time may vary in actual usage. Usually public telephone lines can only support communication speeds of 28.8 Kbps or lower. Via PBX, transmission speed may fall back to a lower speed.
^{*7} Based on ITU-T Image No. 1 scanned in Standard mode.
^{*8} Depending on the receiving machines capability, the document may not be correctly printed depending on the chosen resolution and document size.
^{*9} T.37 Internet Fax only supports TIFF format.

Microsoft[®] Windows[®] and Windows NT[®] are registered trademarks of Microsoft Corporation. Adobe[®], PostScript[®], PostScript^{®3}, PDF and PostScript logo[®] are trademarks of Adobe Systems, Inc. Novell Netware[®] and Novell Directory Services[®] are registered trademarks of Novell Inc., in the United States and other countries. PCL[®] is a registered trademark of Hewlett-Packard. MetaConsole[™] is a trademark of Netaphor[™] Software Inc. OneReIP[™] is a trademark of AHT. Mac is a trademark of Apple Computer, Inc., registered in the U.S. and other countries. WORKIO[®] is a registered trademark of Matsushita Electric Industrial Co., Ltd. All other brand or product names are the property of their respective holders.

ISO 9001 Quality Management System

Our business processes which produce document, information and network products, from manufacturing to marketing, conform to ISO9001 Quality Management Systems standard. Design, development, manufacture, installation, repair and maintenance of document, information and network products, their associated devices and consumables. In addition, the plants outside Japan have acquired ISO 9001 certification.



Panasonic[®]

Panasonic Digital Document Company
 Unit of Panasonic Corporation of North America

Two Panasonic Way, Secaucus, NJ 07094
 For a local dealer, please call 1-800-742-8086
 panasonic.com/office



As an Energy Star[®] partner, Panasonic has determined that this product meets the Energy Star[®] guidelines for energy efficiency.