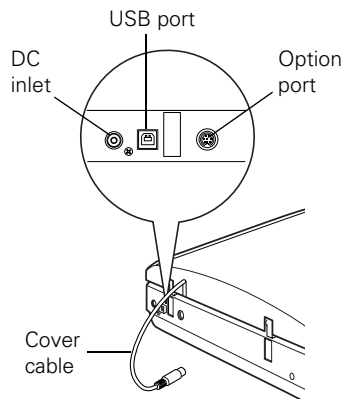
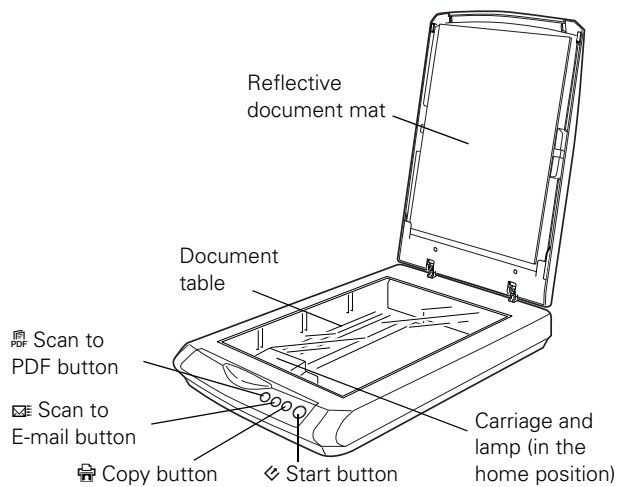
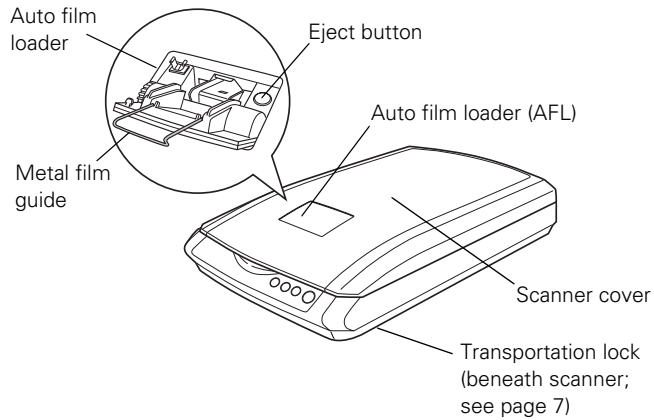
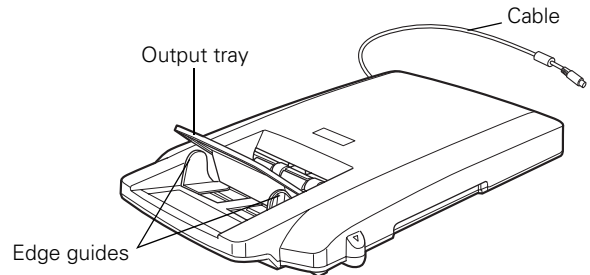


Scanner Parts



Option

The Multi Photo Feeder (part number B813372) lets you load up to 24 photos or business cards and scan them automatically. See the on-screen *User's Guide* for instructions.



Scanner Specifications

Basic Specifications

Scanner type	Flatbed, color
Photoelectric device	Color CCD line sensor
Effective pixels	27,200 × 37,400 pixels at 3200 dpi
Document size	8.5 × 11.7 inches (216 × 297 mm) Letter size or A4 (reading area can be specified from software)
Scanning resolution	3200 dpi (main scan) 6400 dpi with Micro Step (sub scan)
Output resolution	50 dpi to 12800 dpi (50 to 6400 dpi in 1 dpi increments. 9600 dpi and 12800 dpi performed with zoom function.)
Color separation	RGB color filters on CCD
Image data	16 bits per pixel per color internal 16 bits per pixel per color external (maximum)
Interface	USB 2.0 Hi-Speed (Type B connector)
Light source	White cold cathode fluorescent lamp
Dimensions	Width: 10.8 inches (275 mm) Depth: 16.5 inches (419 mm) Height: 3.4 inches (86 mm)
Weight	Approx. 7.0 lb (3.2 kg)

Electrical

Input voltage	DC 24.0 to 26.4 V
Rated frequency	50 to 60 Hz
Rated current	1.4 A
Power consumption	19.0 W operating (with AFL) 13.0 W standby mode 4.8 W sleep mode (with AFL)

Environmental

Temperature	Operation: 41 to 95 °F (5 to 35 °C) Storage: -13 to 140 °F (-25 to 60 °C)
Humidity (without condensation)	Operation: 10 to 80% Storage: 10 to 85%
Operating conditions	Ordinary office or home conditions. Extreme dust should be avoided. Operation under direct sunlight or near a strong light source should be avoided.

Safety Approval

EMC	FCC Part 15 Subpart B Class B CAN/CSA-CEI/IEC CISPR 22 Class B
-----	---

USB Interface

Interface type	Universal Serial Bus Specification Revision 2.0
Electrical standard	Full Speed mode (12 Mbits/s) and Hi-Speed mode (480 Mbits/s) of Universal Serial Bus Specification Revision 2.0.
Connector type	One receptacle (Type B)

AC Adapter

Input	AC 100 to 120 V, 50 to 60 Hz, 1.0 A
Output	DC 24.0 to 26.4 V, 1.4 A

Multi Photo Feeder Specifications

Basic Specifications

Product code	B813372
Paper input	Face-down loading
Paper output	Face-down ejecting
Paper capacity	24 sheets (maximum thickness under 0.2 inches [6 mm])

Paper types	Photo (4 × 6 and 3 × 5 inches), mini-photo (2.25 × 3.25 inches), business card, post card
Dimensions	Width: 9.1 inches (231 mm) Depth: 15.8 inches (401 mm) Height: 2.0 inches (52 mm)
Weight	Approx. 3.75 lb (1.7 kg)

Electrical

Rated input voltage	DC 24 V ± 10%, 5 V ± 10%
Rated input current	24 V, 0.65 A 5 V, 0.2 A

Environmental

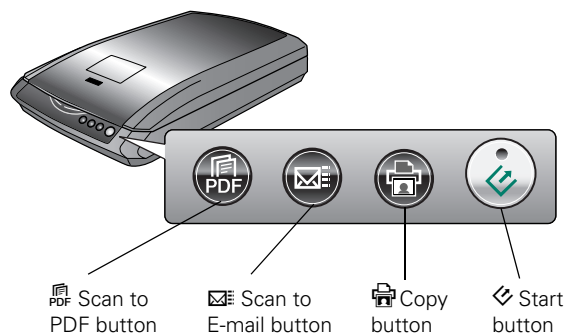
Temperature	Operation: 50 to 86°F (10 to 30 °C) Storage: -4 to 140 °F (-20 to 60 °C)
Humidity (without condensation)	Operation: 20 to 80% Storage: 10 to 85%
Operating conditions	Ordinary office or home conditions. Extreme dust should be avoided. Operation under direct sunlight or near a strong light source should be avoided.





Safety Approval

EMC	FCC Part 15 Subpart B Class B CAN/CSA-CEI/IEC CISPR 22 Class B
-----	---

Using the Scanner Buttons

See the on-screen *User's Guide* for instructions on using these buttons:



- ❑ To start a basic scan, press the  Start button on the scanner. Your computer automatically starts EPSON Scan in Full Auto Mode (or the mode you used last). From EPSON Scan, you can select a scanning mode, and then scan and save your image to a file on your computer.
- ❑ To start a scan and save it as a PDF file on your computer, press the  Scan to PDF button. EPSON Scan starts and automatically selects PDF as the file type.
- ❑ If you want to use the scanner as a copier and automatically scan and print your image, you can press the  Copy button. The EPSON Copy Utility starts automatically.
- ❑ If you want to scan an
- ❑ image and open your e-mail program so you can attach it to an e-mail message, you can press the  Scan to E-mail button.

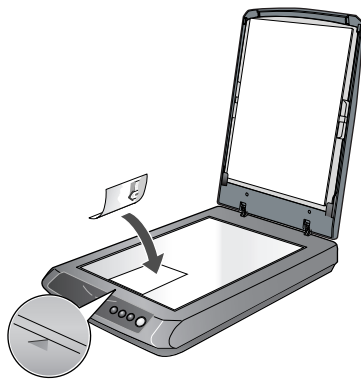
Scanning Documents and Photos

1. Open the scanner cover.

Make sure the document mat is installed inside the scanner cover.



2. Place your document or photo on the document table, face down on the glass. Make sure the top of the document or photo is against the front edge of the scanner and centered on the arrow mark.



3. An area of up to 0.2 inches (5 mm) from the horizontal and the vertical sides of the scanner glass cannot be scanned. If you place a document in the corner of the document table, move it up and in slightly to avoid cropping.
4. If you are scanning multiple photos at once, position each photo at least 0.8 inches (20 mm) apart from the others.

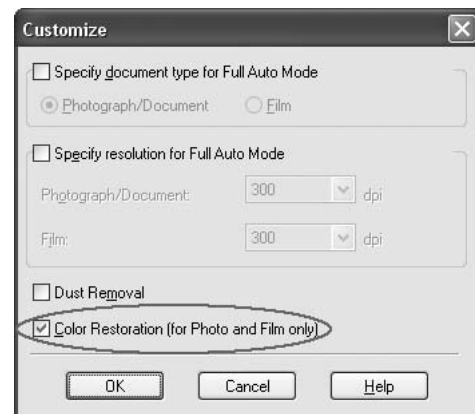
5. Close the scanner cover gently so that your original does not move.



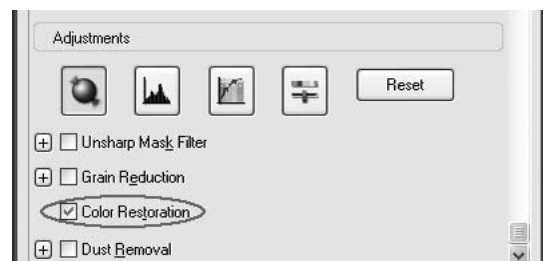
Restoring Photos

Using the Color Restoration feature in EPSON Scan, you can transform old, faded, or badly exposed photos into ones with true-to-life color and sharpness. You can restore printed photos, negative film, or slides automatically as you scan them.

You can use Color Restoration in EPSON Scan's Full Auto, Home or Professional Mode. For detailed steps, see the on-screen *User's Guide*.



Full Auto Mode



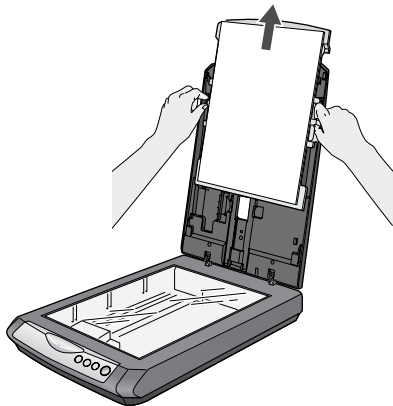
Home and Professional Mode

Scanning Film and Slides

The top of the Perfection 3590 Photo scanner cover has an automatic film loader that lets you load 35 mm negatives without even opening the cover. You can use the slide holder to scan a 35 mm slide from the scanner glass.

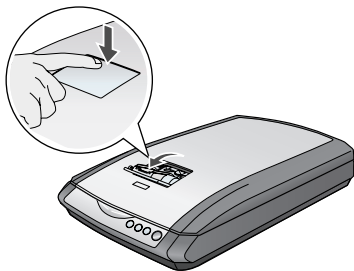
Before scanning negatives or a slide, lift the scanner cover all the way up and slide the reflective document mat up and off of the scanner cover.

Note: Make sure the cover cable is connected to the back of the scanner.

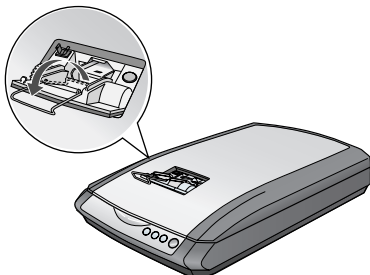


Scanning 35 mm Negatives

1. Close the scanner cover.
2. Press and release the back of the auto film loader cover to open it.

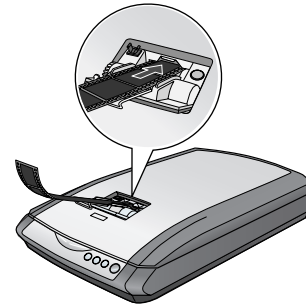


3. Flip out the metal film guide and press it down until it clicks into place.

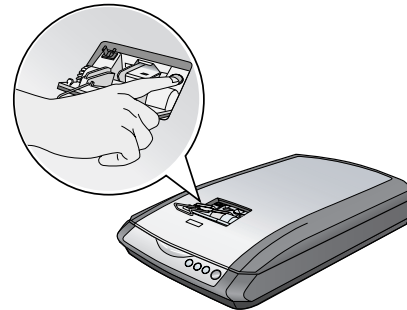


Caution: Before loading a film strip, make sure it contains at least 2 photos, but no more than 6. Don't load folded, creased, curled, or sticky film into the auto film loader or it may damage the film or your scanner.

4. Place the film strip in the film loader with the shiny base side facing down. Your images and any wording on the film strip should appear backward on the side that faces up.



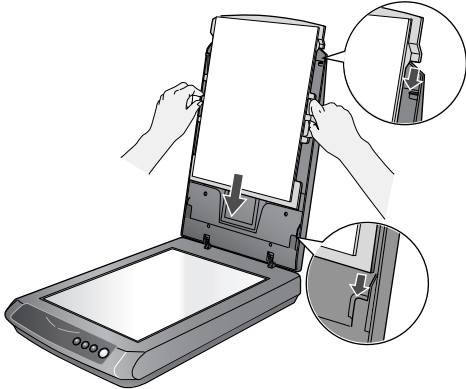
5. Slowly slide the film into the loader. Let go of the film when the scanner begins to automatically feed it into position.
6. When you finish scanning the film strip, press the Eject button inside the auto film loader to eject the film. Wait for the Start light to stay on green, then remove the film strip.



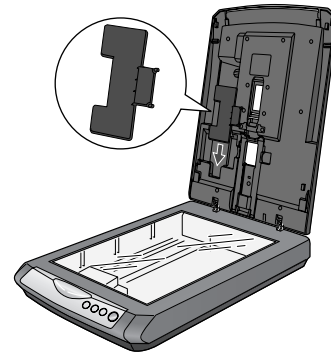
Caution: Don't turn off the scanner with a film strip loaded in the auto film loader. Never pull film out of the loader by force.

7. Flip the film guide back inside the auto film loader and press it down until it clicks into place.
8. Close the auto film loader cover.

- Replace the document mat before you resume scanning documents or photos.

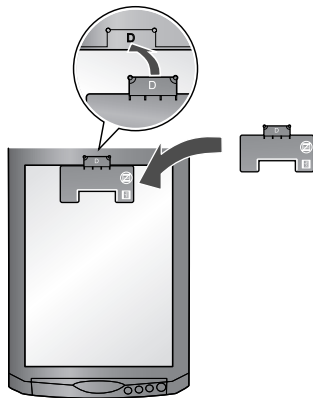


- When you're finished scanning, you can store the slide holder in the scanner cover. Slide the holder into the cover, then replace the document mat.



Scanning a Slide

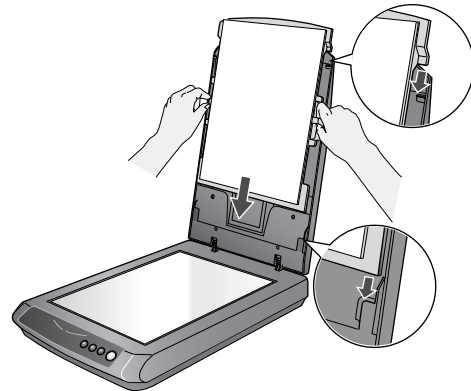
- Make sure you removed the reflective document mat, as described in the previous column.
- Place the slide holder on the top of the scanner glass so that the tab labelled "D" fits into the area labelled "D" on the document table.



- Place a 35 mm slide into the holder with its shiny base side facing down. Your image should appear backwards on the side that faces up.

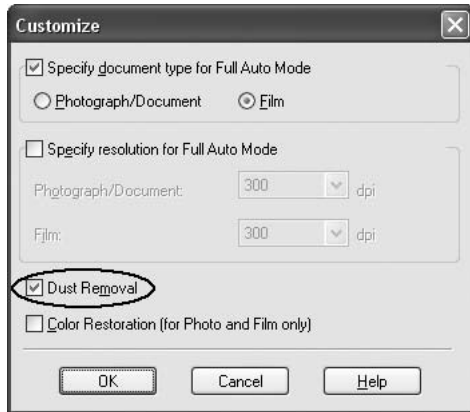
Place the top of the image toward the left side of the scanner.

- Close the scanner cover.

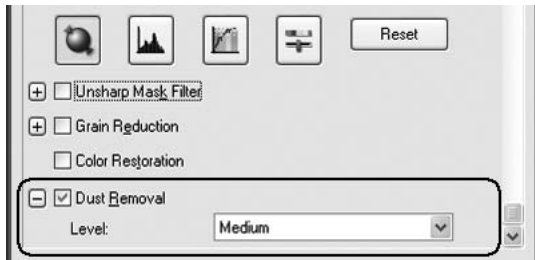


Removing Dust From Film or Slides

Using the Dust Removal feature in EPSON Scan's Full Auto, Home, or Professional Mode, you can virtually "clean" the dust marks from film or slides as you scan them. For detailed steps, see the on-screen *User's Guide*.



Full Auto Mode



Home and Professional Mode

Reading the Scanner Light

The scanner's Start light indicates the scanner status.

Start light	Scanner status
Flashing green	Warming up or scanning.
Green	Ready to scan.
Flashing red	<p>Make sure the transportation lock is unlocked. Try restarting your computer and unplugging the scanner. Wait 10 seconds, then plug the scanner back in.</p> <p>Film may be jammed in the auto film loader. Disconnect the scanner from the computer, wait 10 seconds, and connect it to the computer again to see if the film ejects on its own. If film is still jammed, see your on-screen <i>User's Guide</i>. If the red light is still flashing, contact Epson.</p>
Off	Make sure your scanner is connected to your computer and plugged into a power source.

If an error occurs, the scanner stops operating and the scanner light flashes red. This indicates one of the following problems:

- ❑ The scanner is not connected to your computer properly or your software is not fully installed. See the Start Here sheet that came with your scanner for instructions on installing the scanner software and connecting the scanner to your computer.
- ❑ The scanner transportation lock is locked. Slide the lock to the unlock position.

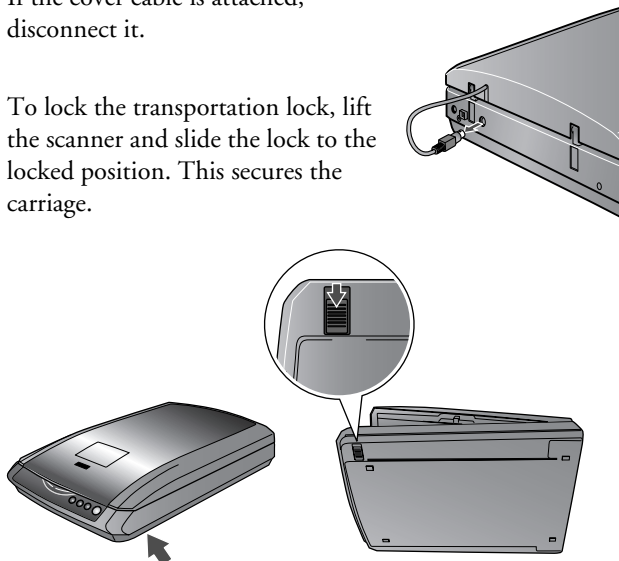
After trying these solutions, turn off the scanner by unplugging its power cord, then plug it in to turn it back on. If the scanner light is still flashing:

- ❑ The scanner may be malfunctioning.
- ❑ The scanner lamp may need to be replaced.
- ❑ The connected optional equipment may be malfunctioning.

Transporting the Scanner

Before transporting the scanner for a long distance or storing it for an extended period of time, you need to lock the scanner's carriage to prevent damage.

1. Plug in the scanner, connect it to your computer, and wait until the carriage moves to the home position (position nearest the buttons). While the Start light is green, unplug the scanner.
2. If the cover cable is attached, disconnect it.
3. To lock the transportation lock, lift the scanner and slide the lock to the locked position. This secures the carriage.



Caution: Do not turn the scanner over; this may damage it.

4. Attach the protective materials and repack the scanner in its original box.

Related Documentation

CPD-19431	Epson Perfection 3490/3590 Photo <i>Start Here</i> sheet
CPD-19432	Epson Perfection 3490/3590 Photo Scanner Software CD-ROM
CPD-19433	Epson Perfection 3490/3590 Photo <i>Notices</i> booklet
—	Epson Perfection 3490/3590 Photo <i>User's Guide</i> (HTML)