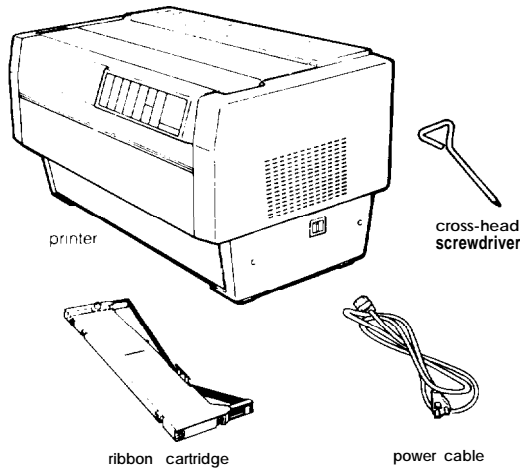
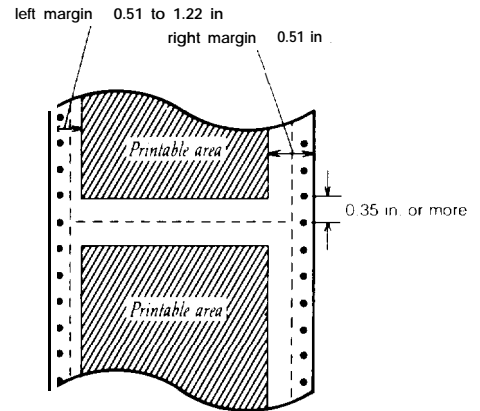


DFX-5000 DOT - MATRIX PRINTER



Printable area: Continuous paper
4 to 16 inches (101 to 406.4mm)



Paper thickness: Front-up to 0.018 inches (0.46 mm)
Rear-up to 0.012 inches (0.30 mm)

Number of copies: With continuous, multi-part paper only:
Front-one original plus up to five copies, maximum thickness of 0.018 inches (0.46mm)
Rear-one original plus up to three copies, maximum thickness of 0.012 inches (0.30mm)

Printer Specifications

Printing method: 9-pin Impact dot matrix

Printing speed:

Pitch	Quality	Characters/second/line
10	high-speed draft	533
10	normal draft	400
10	near letter quality	80
12	draft	480
12	near letter quality	96

Printing direction: Bidirectional logic seeking for text printing. Unidirectional for graphics (can also be switched to bidirectional by using the proper software command).

Line spacing: 1/6-inch, 1/8-inch, or programmable increments of 1/216th of an inch

Printable columns:

Pitch	Maximum printed characters
10 pitch	136
10 pitch double-wide	68
10 pitch condensed	233
12 pitch	163
12 pitch double-wide	81
12 pitch condensed	272

Mechanical

Ribbon: Cartridge ribbon, available in black only (#8766). Do not use ribbons for 24-pin printers. Life expectancy (in draft characters, at 14 dot/character): 15 million characters

MCBF: For all components excluding print head: 13,500,000 lines

MTBF: 6000 power-on hours

Print head life: 200 million characters at 14 dots per character

Dimensions and weight: Height: 14.5 Inches (367mm)
Width: 26.8 inches (680mm)
Depth: 15.0 inches (382.5mm)
Weight: approx. 65 lbs. (30kg)

DFX - 5000 DOT - MATRIX PRINTER

Voltage: 120 VAC ± 10%
220 VAC ± 10%
240 VAC ± 10%

Power consumption: 600 watts maximum

Frequency: 49.5 to 60.5 Hz

Temperature: **Operation:** 41°F to 95°F (5°C to 35°C)
Storage: -22°F to 150°F (-30°C to 65°C)

Humidity: **Operation:** 10% to 80% RH without condensation
Storage: 5% to 85% RH without condensation

Shock: **Operation:** Up to 1 G within 1 ms
Storage: Up to 2 G within 1 ms

Vibration: **Operation:** Up to .025 G at up to 55 Hz
Storage: Up to 0.50 G at up to 55 Hz

International Character Sets

International character sets contain the characters and symbols used in other languages. To select the desired international character set, set switches 1-6, 1-7, and 1-8, according to the DIP switch table on page 3-11. The character set you select then becomes the default character set. The following table shows the characters that differ in each international character set.

International character sets

Country	ASCII code (hex)										DIP SW				
	23	24	40	5B	5C	5D	5E	60	7B	7C	7D	7E	1-6	1-7	1-8
0 U.S.A.	#	\$	@	[\]	^	{		}	~		ON	ON	ON
1 France	#	\$	à	•	ç	û	é	ù	è				ON	ON	OFF
2 Germany	#	\$	Š	À	Ö	U	^	ä	ö	ü	ß		ON	OFF	ON
3 U.K.	#	\$	@	[\]	^	{		}	~		ON	OFF	OFF
4 Denmark 1	#	\$	æ	ø	Å	^	æ	ø	å	~			OFF	ON	ON
5 Sweden	#	\$	é	À	Ö	Å	û	é	ä	ö	å	ü	OFF	ON	OFF
6 Italy	#	\$	@	•	\	é	ù	à	ò	è	ì		OFF	OFF	ON
7 Spain 1	#	\$	@	;	ñ	¿	^	ñ	}	~			OFF	OFF	OFF

Setting the DIP Switches

The following tables show the settings for each DIP switch. The shaded boxes show the default or factory settings. See the page numbers listed on the right for more information about each feature.

DIP Switch 1

Switch	Description	ON	OFF	Page
1-1	Condensed mode on/off	Condensed	Normal	3-12
1-2	Slashed zero on/off	Slashed	Not slashed	3-13
1-3	Character table	Graphics	Italics	3-13
1-4	Input buffer	OFF	ON	3-15
1-5	NLQ or draft mode	NLQ	Draft	3-15
1-6				
1-7	International character set	See table below		3-16
1-8				

DIP Switch 2

Switch	Description	ON	OFF	Page
2-1	Page length	12 inches	11 inches	3-17
2-2	Draft printing speed	Normal	High	3-17
2-3	Skip Over perforation	ON	OFF	3-18
2-4	Auto line feed	ON	OFF	3-18
2-5	Interface type / parity	See table below		3-19
2-6				
2-7	Baud rate	See table below		3-19
2-8				

DIP switch settings for interface and parity

Interface type	Parity	Switch 2-5	Switch 2-6
Parallel		OFF	OFF
Serial	Odd	OFF	ON
Serial	Even	ON	OFF
Serial	None	ON	ON

DIP switch settings for baud rate

Baud Rate	Switch 2-7	Switch 2-8
9600 bps	OFF	OFF
4800 bps	OFF	ON
1200 bps	ON	OFF
300 bps	ON	ON

Master Select table

Feature	Dec.	Hex.
10 CPI	0	00
12 cpi	1	01
proportional	2	02
condensed	4	04
emphasized	8	08
double-strike	16	10
double-wide	32	20
Italics	64	40
underline	128	80

Commands in Numerical Order

ASCII	Dec	Hex	Description	Page
BEL	7	07	Beeper	8-11
BS	8	08	Backspace	8-20
HT	9	09	Tab horizontally	8-21
LF	10	0A	Line feed	8-14
VT	11	0B	Tab vertically	8-17
FF	12	0C	Form feed	8-13
CR	13	0D	Carriage return	8-12
SO	14	0E	Select double-wide (1 line)	8-27
ESC SO	14	0E	Select double-wide (1 line)	8-28
SI	15	0F	Select condensed mode	8-26
ESC SI	15	0F	Select condensed mode	8-27
DC1	17	11	Select printer	8-8
DC2	18	12	Cancel condensed mode	8-27
DC3	19	13	Deselect printer	8-9
DC4	20	14	Cancel double-wide (1 line)	8-28
CAN	24	18	Cancel line	8-12
ESC SP	32	20	Set intercharacter space	8-33
ESC !	33	21	Master Select	8-24
ESC #	35	23	Cancel MSB control	8-11
ESC \$	36	24	Set absolute print position	8-20
ESC %	37	25	Select user-defined set	8-35
ESC &	38	26	Define user-defined characters	8-34
ESC *	42	2A	Select graphics mode	8-38
E S C	45	2D	Turn underlining on/off	8-31
ESC /	47	2F	Select vertical tab channel	8-18
ESC 0	48	30	Select 1/8-inch line spacing	8-15
ESC 1	49	31	Select 7/72-inch line spacing	8-15
ESC 2	50	32	Select 1/6-inch line spacing	8-15
ESC 3	51	33	Select n/216-inch line spacing	8-16
ESC 4	52	34	Select italic mode	8-31
ESC 5	53	35	Cancel italic mode	8-32
ESC 6	54	36	Printable code area expansion	8-36
ESC 7	55	37	Cancel ESC 6	8-36
ESC :	58	3A	Copy ROM into RAM	8-35
ESC <	60	3C	Unidirectional mode (1 line)	8-9
ESC =	61	3D	Set MSB to 0	8-10
ESC >	62	3E	Set MSB to 1	8-11
ESC ?	63	3F	Reassign graphics mode	8-39
ESC @	64	40	Initialize printer	8-8
ESC A	65	41	Select n/72-inch line spacing	8-16
ESC B	66	42	Set vertical tabs	8-17
ESC C	67	43	Set page length in lines	8-13
ESC CO	67	43	Set page length in inches	8-14
ESC D	68	44	Set horizontal tabs	8-22
ESC E	69	45	Select emphasized mode	8-29
ESC F	70	46	Cancel emphasized mode	8-29
ESC G	71	47	Select double-strike mode	8-29
ESC H	72	48	Cancel double-strike mode	8-30
ESC I	73	49	Printable code area expansion	8-36
ESC J	74	4A	Perform n/216-inch line feed	8-16
ESC K	75	4B	Select single-density graphics	8-37
ESC L	76	4C	Select double-density graphics	8-37
ESC M	77	4D	Select 12 cpi	8-25
ESC N	78	4E	Set skip over perforation	8-14
ESC O	79	4F	Cancel skip over perforation	8-14
ESC P	80	50	Select 10 cpi	8-25
ESC Q	81	51	Set right margin	8-19
ESC R	82	52	International character set	8-34
ESC SO	83	53	Select superscript mode	8-30
ESC SI	83	53	Select subscript mode	8-30
ESC T	84	54	Cancel superscript/ subscript	8-31
ESC U	85	55	Turn unidirectional mode on/off	8-10
ESC W	87	57	Turn double-wide on/off	8-28
ESC Y	89	59	High-speed dbl-density graphics	8-37
ESC Z	90	5A	Quadruple-density graphics	8-38
ESC \	92	5C	Set relative position	8-21
ESC ^	94	5E	Select Y-pin graphics	8-39
ESC a	97	61	Select justification	8-32
ESC b	98	62	Set vertical tabs in channels	8-18
ESC k	107	6B	Select NLQ font	8-23
ESC l	108	6C	Set left margin	8-19
ESC p	112	70	Turn proportional mode on/off	8-26
ESC t	116	74	Select character table	8-33
ESC x	120	78	Select NLQ or draft	8-22
DEL	127	7F	Delete character	8-12

Installation/Support Tips

Physical Installation

The DFX-5000 printer is a very easy printer to set up, but due to the fact that it is a very high -speed machine, special care must be taken to ensure that a proper paper path is established. Epson printer stand model 8501 -A is specially designed to accommodate the printer, and its use is recommended but not required. This stand provides a catch bin and a paper supply shelf large enough to hold paper for both the front and rear tractors, as well as detents, which hold the printer securely in place.

If this stand is not used, make sure that the paper supply to both tractors is properly aligned (no skewing to either side) and that the paper exiting does not interfere with the rear paper supply. Also ensure that the power and interface cables are routed away from both incoming and exiting paper.

Software Installation

The DFX-5000 is code -compatible with the Epson FX printer series, and therefore it will perform properly with virtually all popular software. Most software provides Epson FX printer support, but programs that do not have an FX driver should work properly if LX, RX, MX, or Epson drivers are selected.

Information Reference List

Engineering Change Notices

DFX-5000-001	9/29/88	Version DX0383 to Version DX0685 EPROM upgrade; improved serial port operation, added "beep" to confirm modes selected via the front panel.
--------------	---------	--

Related Documentation

M - TM - DFX5000 Y475991010		DFX-5000 Technical Manual DFX - 5000 User's Manual
--------------------------------	--	---